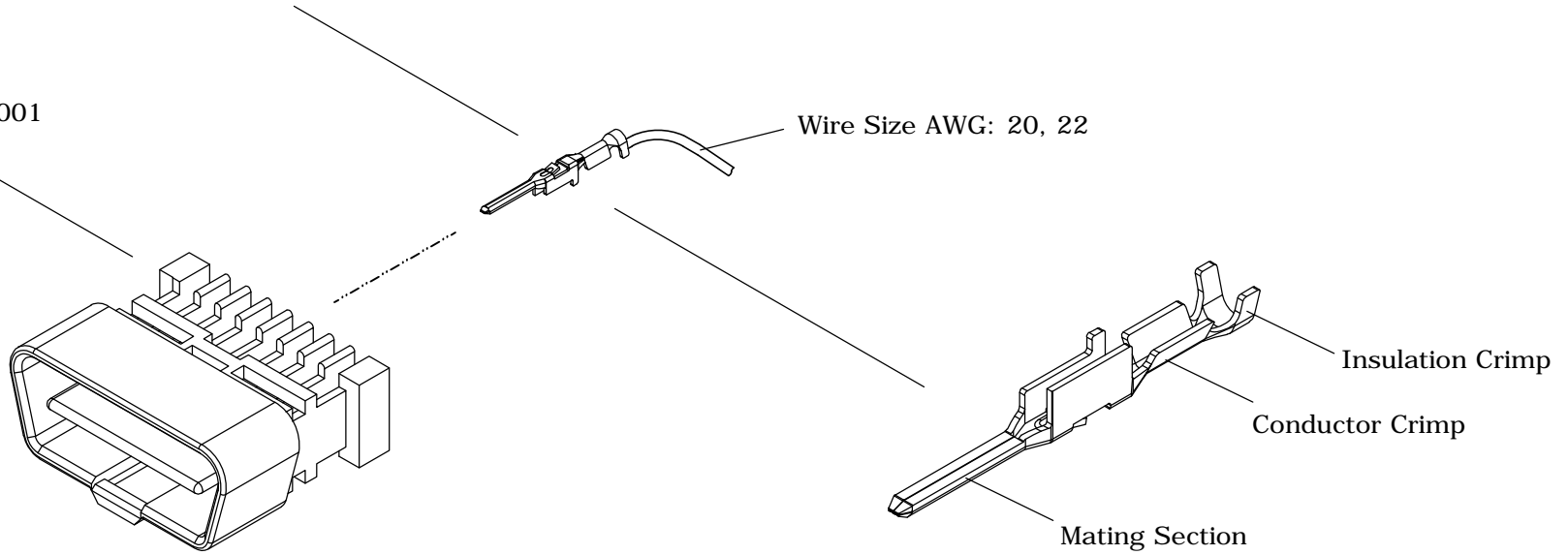



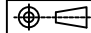
REV.	DESCRIPTION	DRAWN	DATE
1	INITIAL RELEASE	TIM	2019/03/15

Crimp Terminal
P/N: 226A-T001
Q'ty: 16 PCS (Max.)

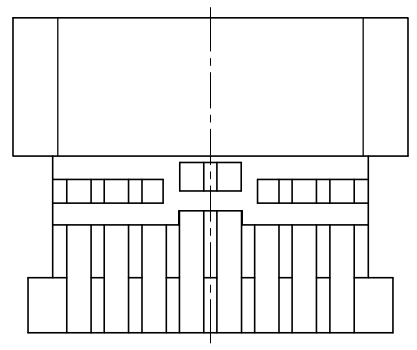
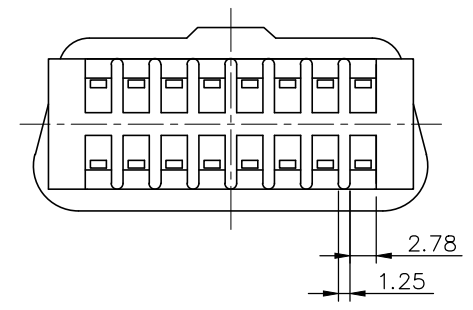
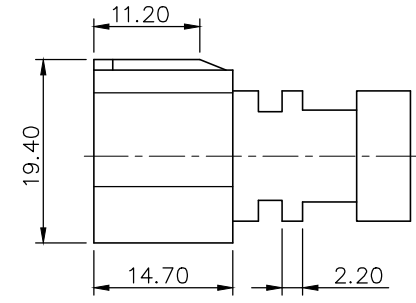
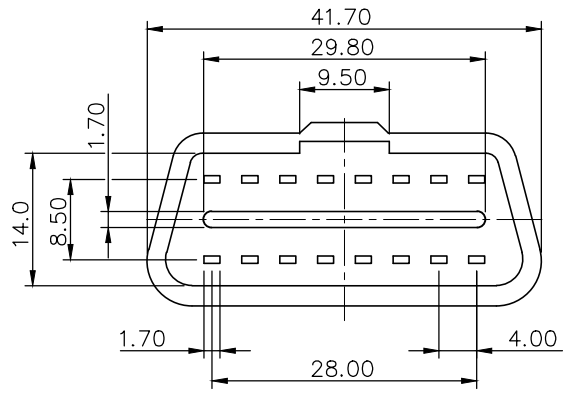
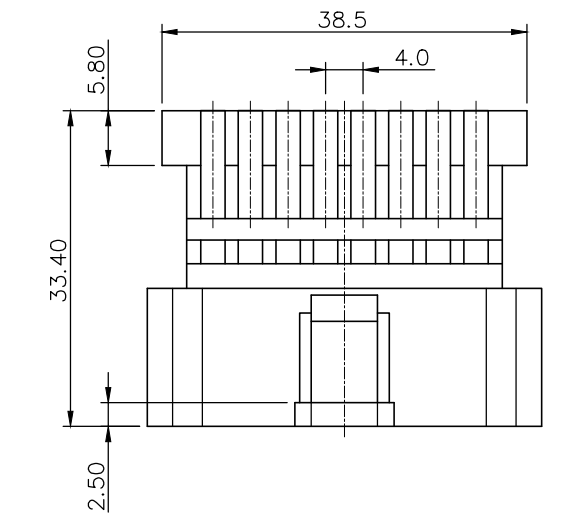
Housing
P/N: 226A-H001
Q'ty: 1 PC

Wire Size AWG: 20, 22



UNLESS OTHERWISE SPECIFIED TOLERANCE					
UNIT:	DECIMAL	LINEAR	ANGLES		
mm	X.	±0.50	±5°	www.attend.com.tw	
	X.X	±0.25	±3°		
	X.XX	±0.12	±1°		
DRAWN	Tim	2019/03/15	DRAWN NAME:		
CHECKED	Fros	2019/03/15	OBD2 Housing, Type A Male Overmold, Crimp Terminal		
APPROVED	Ken	2019/03/15	PRODUCT NO.		
	SCALE 1:1	SHEET 1/1	SIZE A4	FILE NAME	226A-Overmold

REV.	DESCRIPTION	DRAWN	DATE
1	INITIAL RELEASE	TIM	2019/03/15

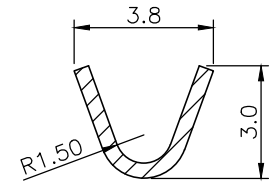
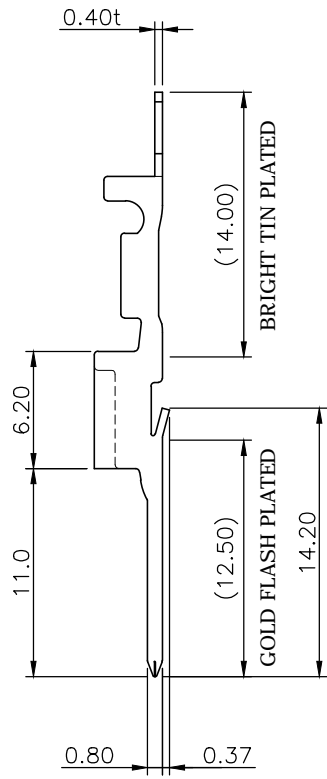
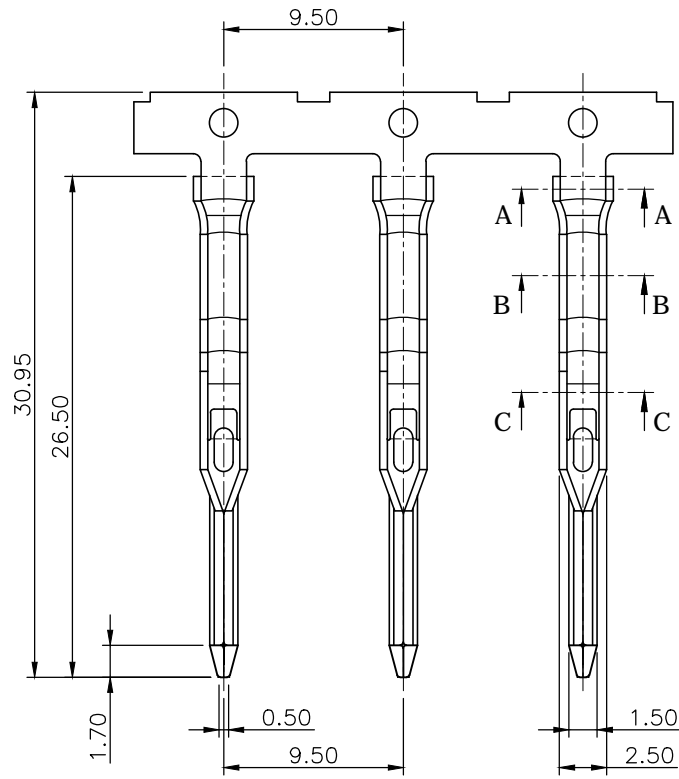


1	HOUSING	PA66, UL94V-0, Black	
NO	PART NAME	DESCRIPTION	
UNLESS OTHERWISE SPECIFIED TOLERANCE			
UNIT:	DECIMAL	LINEAR	ANGLES
mm	X.	±0.50	±5°
	X.X	±0.25	±3°
	X.XX	±0.12	±1°
DRAWN			Tim
CHECKED			Fros
APPROVED			Ken
SCALE			1.25
SHEET			1/1
SIZE			A4
DRAWN NAME:		2019/03/15	
CHECKED		2019/03/15	
APPROVED		2019/03/15	
DRAWN NAME:		OBD2 Housing, Type A Male Overmold, Nylon, Black	
PRODUCT NO.		226A-H001	
FILE NAME		226A-H001_B_1	

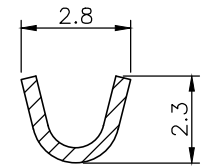


www.attend.com.tw

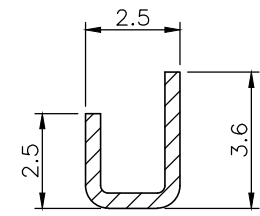
REV.	DESCRIPTION	DRAWN	DATE
1	INITIAL RELEASE	TIM	2019/03/15



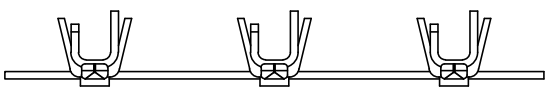
SECTION A-A
SCALE 2:1



SECTION B-B
SCALE 2:1



SECTION C-C
SCALE 2:1



1	TERMINAL	C2680, Mating area: Gold plating over Nickel Tail: Bright Tin plating over Nickel	
NO.	PART NAME	DESCRIPTION	
UNLESS OTHERWISE SPECIFIED TOLERANCE			
UNIT:	DECIMAL	LINEAR	ANGLES
mm	X.	±0.50	±5°
	X.X	±0.25	±3°
	X.XX	±0.12	±1°
			www.attend.com.tw
DRAWN	Tim	2019/03/15	DRAWN NAME:
CHECKED	Fros	2019/03/15	OB2 Terminal, Male Pin, Crimp Brass, G/F, 18-22AWG
APPROVED	Ken	2019/03/15	PRODUCT NO. 226A-T001
	SCALE 2.5	SHEET 1/1	SIZE A4
		FILE NAME	226A-T001_B_1

